

# Senba Senba Optical & Electric Co.,Ltd

## Approval Specification

Description:

✧ **Commodity:** Round Ø5

✧ **Device Number:** HP-W130S0350

✧ **Approval Date:** \_\_\_\_\_

**Dice Material:**GaALAs/GaAs

PREPARED BY	CHECKED BY	APPROVED BY	CUSTOMER APPROVED SIGNATURES
<u>Shuyan Guo</u>	Hongjun Wang	Haigen Guo	

Add:Building 4,Huawan Industrial Zone,BaoAn District,Shenzhen,China

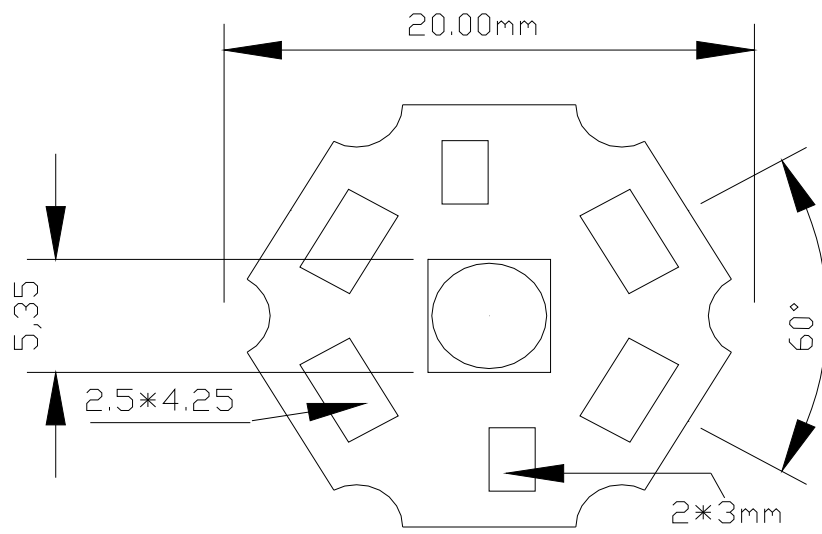
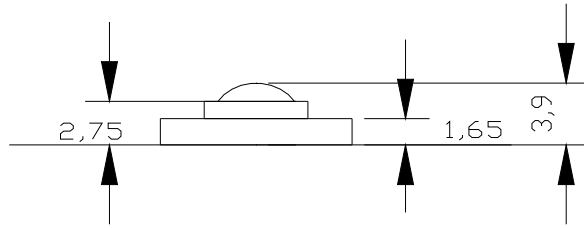
**Tel: 0755-2789 3586    2789 3596    Fax: 0755-2789 5396**

## ● SPECIFICATION

特性参数 Characteristics Parameter at Ta=25℃ I <sub>F</sub> =700mA										
产品型号 Part Number	发光颜色 Emitting color	色温 Color temp	胶体颜色 Lens Type	正向电压 Forward Voltage			光通量 Luminous Flux			发光角度 Viewing Angle
				最小 Min	典型 Typ	最大 Max	最小 Min	典型 Typ	最大 Max.	
SB-WI	白色 White	6000-7000	水透明 Water Clean	3.0	3.5	4.0	40	50	60	80
性能参数 Absolute Maximum Ratings at Ta=25℃										
特性 Characteristic				符号 Symbol		最大 Max		单位 Unit		
消耗功率 Power Dissipation				P <sub>D</sub>		1000		mW		
正向脉冲峰值电流 Peak Forward Current (1/10 Duty Cycle 0.1m Pulse Width)				I <sub>FP</sub>		700		mA		
反向电压 Reverse Voltage				V <sub>R</sub>		5		V		
反向电流 Reverse Current				I <sub>R</sub>		≅ 50		uA		
工作环境温度 Operating Temperature				T <sub>opr</sub>		-40-65		℃		
储存温度 Storage Temperature				T <sub>spr</sub>		-40-100				
焊接温度 Lead Soldering Temperature (5mm From The Base Of The Epoxy Buld)				T <sub>sol</sub>		260 (≅ 5s)		℃		
NOTES:										
1. All dimensions are millimeters;										
2. Tolerances are ±0.1mm otherwise specified.										

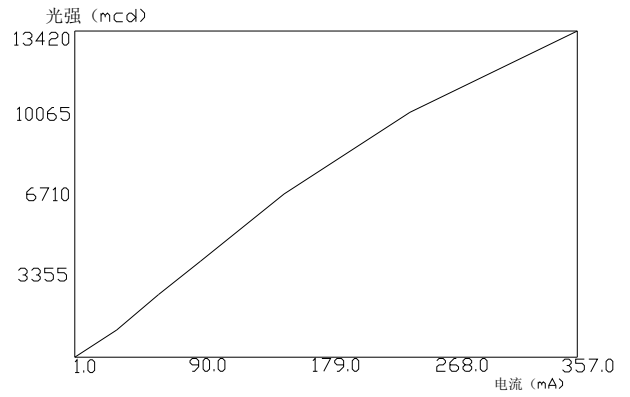
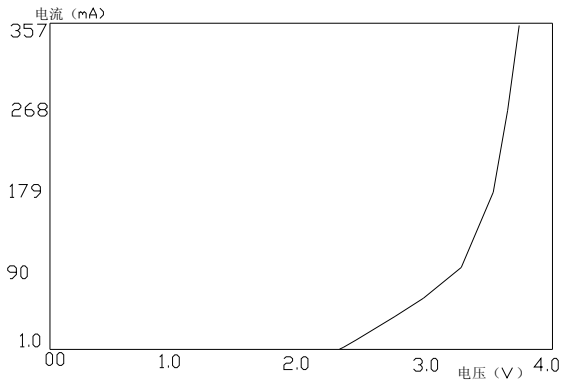
# 外形尺寸

## Dimensions:

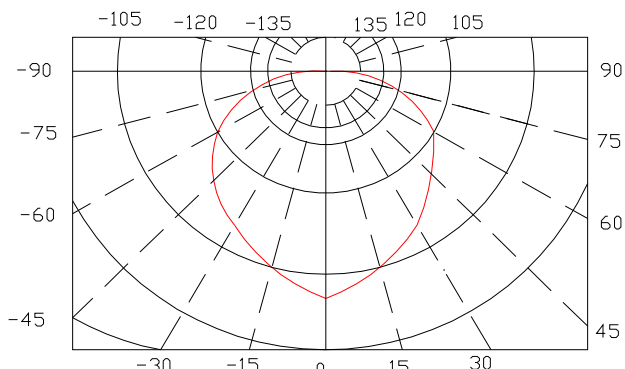


# 光电参数曲线图

## Photo electricity Parameter Graph



电流、电压与光强  
Current, voltage And Luminous intensity



光强与发光角度  
Luminous intensity And view Angle

